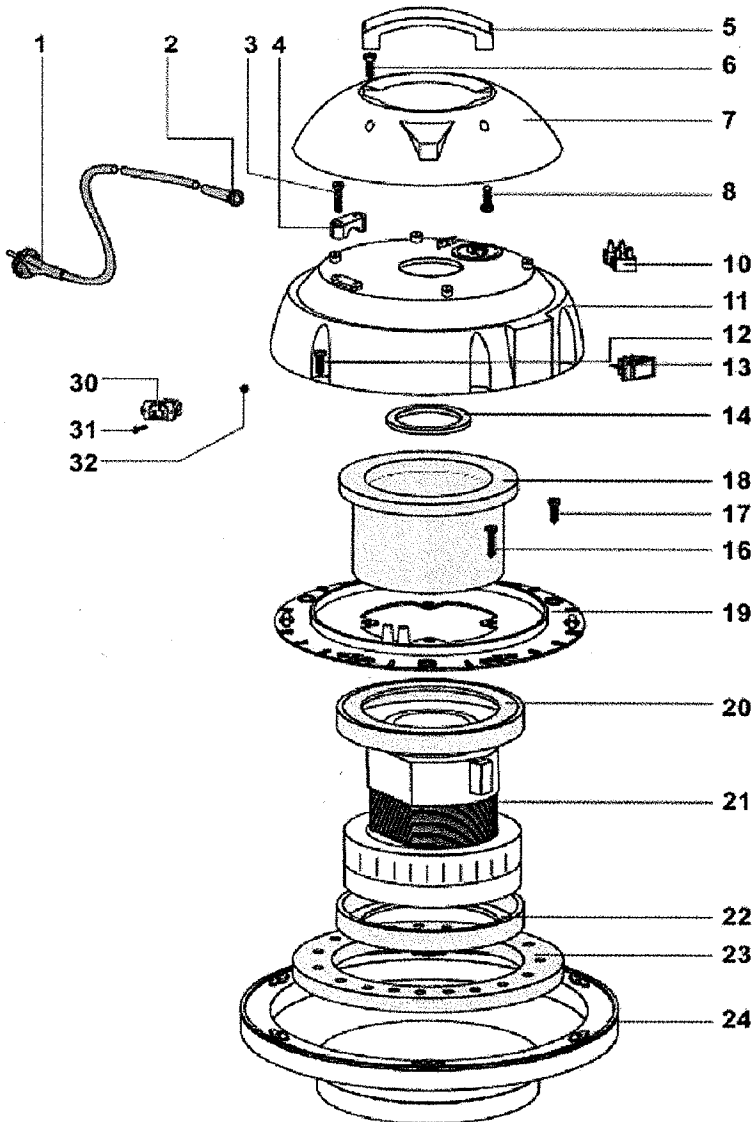
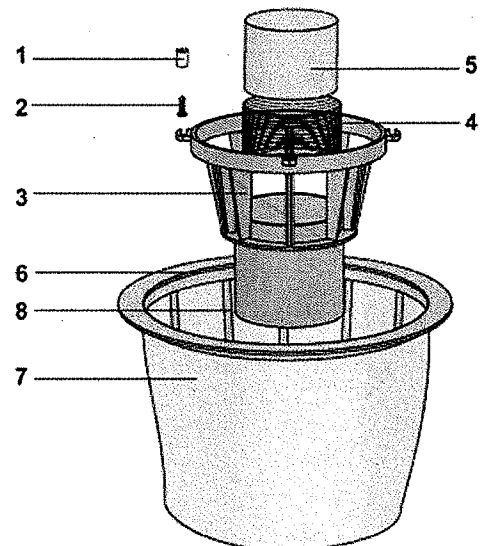


# PROCARE M6018 TNP Plus



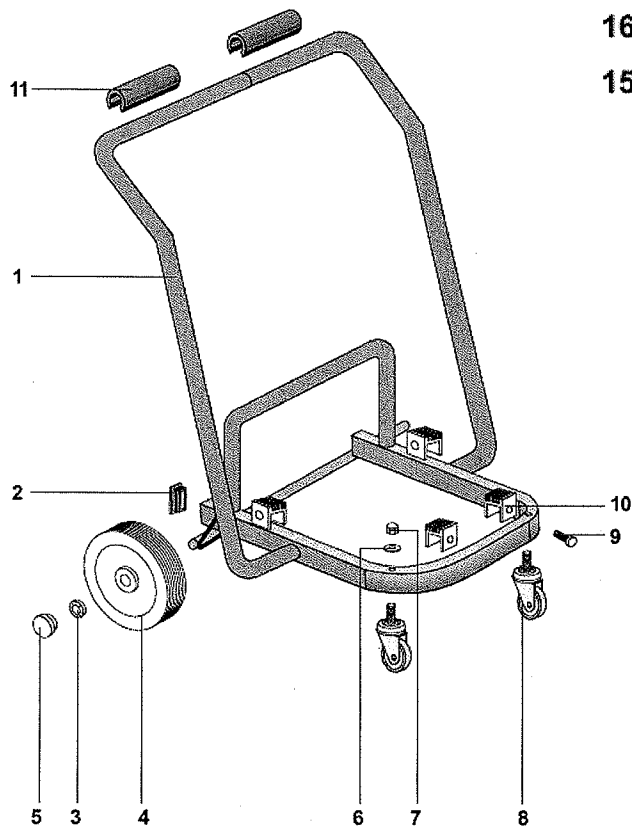
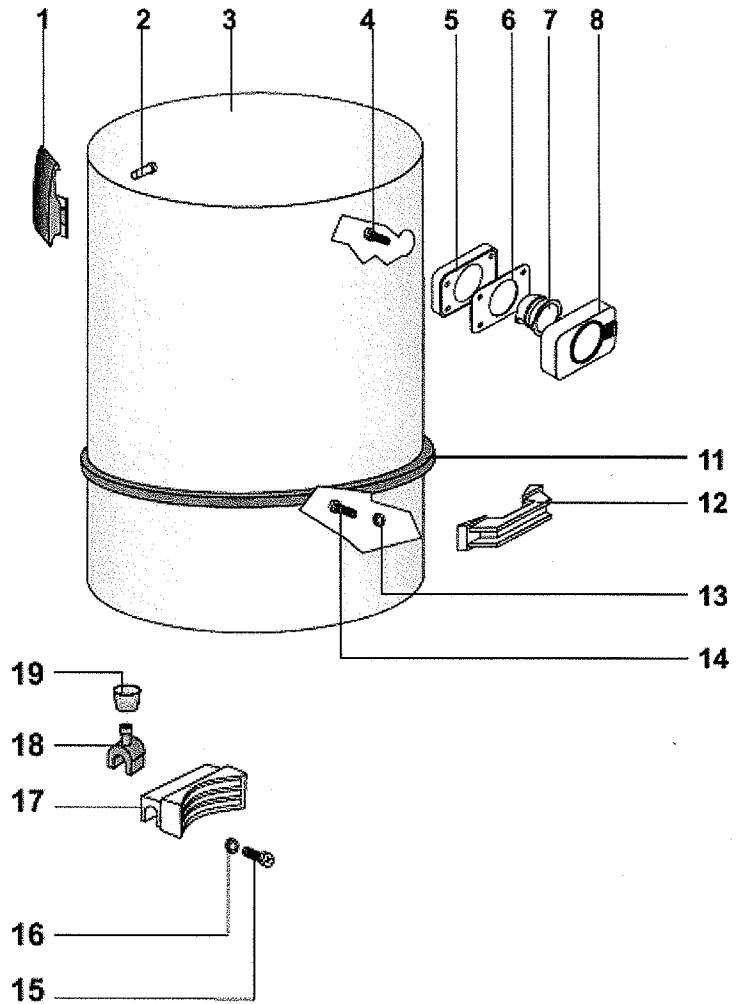
Pos.	Ref.	Description	Qty
1	1122	Power Cord, 16/3 x 15M	1
2	0138	Strain Relief	1
3	1006	Screw, 5x20	2
4	0139	Cord Grip	1
5	2997	Handle	1
6	1006	Screw, M5x20	4
7	1153	Top Cap	1
8	1006	Screw, M5x20	2
10	6979	Terminal Block	1
11	1148	Motor Cover	1
12	1006	Screw, M5x20	6
13	0326	Switch	1
14	3969	Washer, H8 D85x85	1
16	1006	Screw, M5x20	4
17	1005	Screw, M5x14	2
18	3900	Foam Filter	1
19	3608	Upper Motor Support	1
20	3901	Lower Motor Gasket	1
21	6853	Vac Motor, 120V	1
22	3901	Lower Motor Gasket	1
23	3866	Exhaust Filter	1
24	2605G	Lower Motor Housing	1
30	0098	Female Receptacle	1
31	1044	Screw, M3x20	2
32	1046	Nut, M3	2
*	1024	Washer	1
*	1064	Screw, M4x8	1
*	1103	Fastener	2
*	1106	Clip	1

Pos.	Ref.	Description	Qty
1	3706	Plastic Bushing	4
2	3724	Screw, M5x25	4
3	3823	Float Cage	1
4	3138	Wet Filter Screen	1
5	2676	Float Shut Off	1
6	473	Filter Support Ring	1
7	2845SAN	Sanifilter, Cone Dry	1
8	2833	Filter Cage	1
Not Shown	476	Wet Filter	1
Not Shown	0474W	Wet Filter Assembly	1



# PROCARE M6018 TNP *Plus*

Pos.	Ref.	Description	Qty
1	1847	Cover Clamp	2
2	1302	Rivet, 5x19	4
3	6769	Bare Tank	1
4	1026	Screw, M5x30	4
5	2586	Inlet, Inner	1
6	2846	Inlet Gasket	1
7	2593	Inlet Deflector	1
8	2652A	Inlet Deflector	1
11	3771	Bumper	1
12	2993	Handle	1
13	3883	Sealing Washer	2
14	1026	Screw, M5 x 30	2
15	1026	Screw, M5 x 30	4
16	3883	Sealing Washer	4
17	2968	Hinge Pivot	1
18	2970	Retaining Block	2
19	2969	Hinge Knob	2



Pos.	Ref.	Description	Qty
1	3250	Trolley Body	1
2	0976	Cap	2
3	2557	Wheel Fastener	2
4	0904	Rear Wheel	2
5	3835	Wheel Cap	2
6	1012	Washer D10	2
7	0478	Nut M10	2
8	0479	Front Caster	2
9	1979	Screw, M5 x 25	4
10	3450	Tipping Feet	4
11	6250	Handle Grip	2